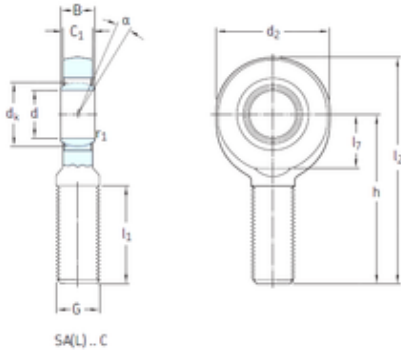




SKF SAL10C plain bearings



Bearing No. SAL10C

Bore Diameter	10 mm
d	10 mm
d2 max.	30 mm
dk	16 mm
h	48 mm
l1 min.	26 mm
l2 max.	65 mm
l7 min.	13 mm
r1 min.	0,3 mm
B	9 mm
C1 max	7,5 mm
Thread (G)	M10 Tolerance 6g
Angle	12 °
Weight	0,053 Kg
Basic dynamic load rating (C)	8,65 kN

SAL10C Bearing 2D drawings and 3D CAD models