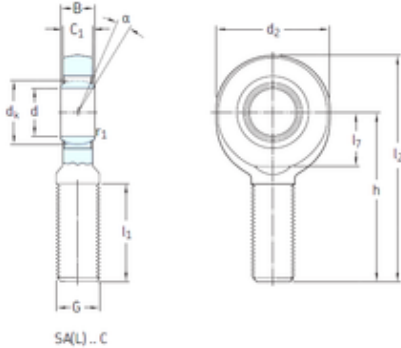




SKF SA8C plain bearings



Bearing No. SA8C

|                               |                 |
|-------------------------------|-----------------|
| Bore Diameter                 | 8 mm            |
| d                             | 8 mm            |
| d2 max.                       | 25 mm           |
| dk                            | 13 mm           |
| h                             | 42 mm           |
| l1 min.                       | 21 mm           |
| l2 max.                       | 56 mm           |
| l7 min.                       | 11 mm           |
| r1 min.                       | 0,3 mm          |
| B                             | 8 mm            |
| C1 max                        | 6,5 mm          |
| Thread (G)                    | M8 Tolerance 6g |
| Angle                         | 15 °            |
| Weight                        | 0,03 Kg         |
| Basic dynamic load rating (C) | 5,85 kN         |

SA8C Bearing 2D drawings and 3D CAD models